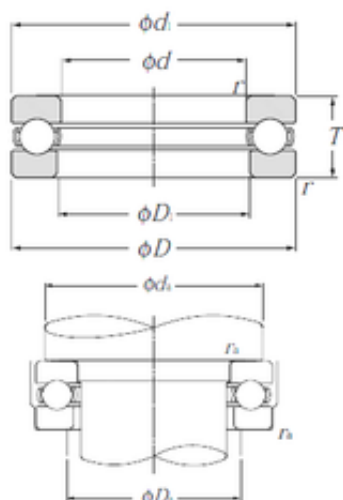




NTN BEARING-BOWER CORP.



NTN 51228 Thrust Bearings

Bearing No. 51228

Size	140x200x46 mm
Bore Diameter	140 mm
Outer Diameter	200 mm
Width	46 mm
d	140 mm
D	200 mm
T	46 mm
d1	197 mm
r min.	1,5 mm
D1	143 mm
da min.	176 mm
Da max.	164 mm
ra max.	1,5 mm
Weight	4,77 Kg
Basic dynamic load rating (C)	193 kN
Basic static load rating (C0)	595 kN
(Grease) Lubrication Speed	980 r/min
Category	Thrust Ball Bearing
Inventory	0.0
Manufacturer Name	NTN
Minimum Buy Quantity	N/A
Weight / Kilogram	4.434
EAN	4547359306842
Product Group	B00308
Rolling Element	Ball Bearing
Thrust Bearing	Yes

51228 Bearing 2D drawings and 3D CAD models



NTN BEARING-BOWER CORP.

Single or Double Direction	Single Direction
Banded	No
Cage Material	Steel
Precision Class	ABEC 1 ISO P0
Component Description	Roller Assembly Plus Raceways
Other Features	Single Row With Flat Seat
Long Description	140MM Bore 1; 143MM Bore 2; 200MM Outside Diameter; 46MM Height; Ball Bearing; Single Direction; Not Banded; Steel Cage; ABEC 1 ISO P0 Precision
Inch - Metric	Metric
Category	Thrust Ball Bearings
UNSPSC	31171552
Harmonized Tariff Code	8482.10.50.08
Noun	Bearing
Keyword String	Ball Thrust
Manufacturer URL	http://www.ntnamerica.com
Manufacturer Item Number	51228
Weight / LBS	10.51605
Outside Diameter	7.874 Inch 200 Millimeter
Bore 2	5.63 Inch 143 Millimeter
Bore 1	5.512 Inch 140 Millimeter
Overall Height with Aligning Washer	0 Inch 0 Millimeter
Height	1.811 Inch 46 Millimeter
bore diameter:	140 mm
dynamic load capacity:	193000 N
outside diameter:	197 mm
operating temperature range:	-40 to 120 ° C



NTN BEARING-BOWER CORP.

overall width:	46 mm
maximum rpm:	1400 rpm
thrust bearing type:	Single-Direction
bearing material:	High Carbon Chrome Steel
outside diameter design:	Straight
cage material:	Steel
separable or banded:	Separable
fillet radius:	1.5 mm
precision rating:	ISO Class 0
manufacturer product page:	Click here
static load capacity:	595000 N