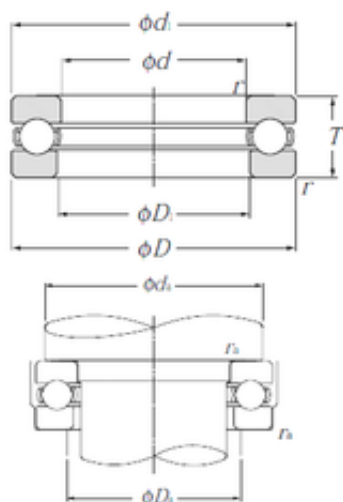




# NTN BEARING-BOWER CORP.



## NTN 51230 Thrust Bearings

Bearing No. 51230

Size	150x215x50 mm
Bore Diameter	150 mm
Outer Diameter	215 mm
Width	50 mm
d	150 mm
D	215 mm
T	50 mm
d1	212 mm
r min.	1,5 mm
D1	153 mm
da min.	189 mm
Da max.	176 mm
ra max.	1,5 mm
Weight	5,87 Kg
Basic dynamic load rating (C)	220 kN
Basic static load rating (C0)	685 kN
(Grease) Lubrication Speed	900 r/min
Category	Thrust Ball Bearing
Inventory	0.0
Manufacturer Name	NTN
Minimum Buy Quantity	N/A
Weight / Kilogram	5.82
EAN	4547359306859
Product Group	B00308
Rolling Element	Ball Bearing
Thrust Bearing	Yes

51230 Bearing 2D drawings and 3D CAD models



## NTN BEARING-BOWER CORP.

Single or Double Direction	Single Direction
Banded	No
Cage Material	Steel
Precision Class	ABEC 1   ISO P0
Component Description	Roller Assembly Plus Raceways
Other Features	Single Row   With Flat Seat
Long Description	150MM Bore 1; 153MM Bore 2; 215MM Outside Diameter; 50MM Height; Ball Bearing; Single Direction; Not Banded; Steel Cage; ABEC 1   ISO P0 Precision
Inch - Metric	Metric
Category	Thrust Ball Bearings
UNSPSC	31171552
Harmonized Tariff Code	8482.10.50.08
Noun	Bearing
Keyword String	Ball Thrust
Manufacturer URL	<a href="http://www.ntnamerica.com">http://www.ntnamerica.com</a>
Manufacturer Item Number	51230
Weight / LBS	12.94113
Bore 1	5.906 Inch   150 Millimeter
Bore 2	6.024 Inch   153 Millimeter
Height	1.969 Inch   50 Millimeter
Overall Height with Aligning Washer	0 Inch   0 Millimeter
Outside Diameter	8.465 Inch   215 Millimeter