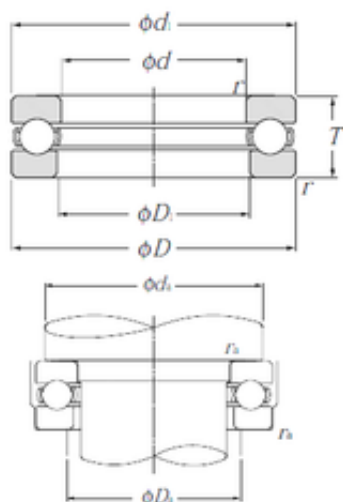




NTN BEARING-BOWER CORP.



NTN 51232 Thrust Bearings

Bearing No. 51232

Size	160x225x51 mm
Bore Diameter	160 mm
Outer Diameter	225 mm
Width	51 mm
d	160 mm
D	225 mm
T	51 mm
d1	222 mm
r min.	1,5 mm
D1	163 mm
da min.	199 mm
Da max.	186 mm
ra max.	1,5 mm
Weight	6,32 Kg
Basic dynamic load rating (C)	223 kN
Basic static load rating (C0)	720 kN
(Grease) Lubrication Speed	870 r/min
Category	Thrust Ball Bearing
Inventory	0.0
Manufacturer Name	NTN
Minimum Buy Quantity	N/A
Weight / Kilogram	6.15
EAN	4547359306866
Product Group	B00308
Rolling Element	Ball Bearing
Thrust Bearing	Yes

51232 Bearing 2D drawings and 3D CAD models



NTN BEARING-BOWER CORP.

Single or Double Direction	Single Direction
Banded	No
Cage Material	Steel
Precision Class	ABEC 1 ISO P0
Component Description	Roller Assembly Plus Raceways
Other Features	Single Row With Flat Seat
Long Description	160MM Bore 1; 163MM Bore 2; 225MM Outside Diameter; 51MM Height; Ball Bearing; Single Direction; Not Banded; Steel Cage; ABEC 1 ISO P0 Precision
Inch - Metric	Metric
Category	Thrust Ball Bearings
UNSPSC	31171552
Harmonized Tariff Code	8482.10.50.08
Noun	Bearing
Keyword String	Ball Thrust
Manufacturer URL	http://www.ntnamerica.com
Manufacturer Item Number	51232
Weight / LBS	13.93321
Overall Height with Aligning Washer	0 Inch 0 Millimeter
Bore 2	6.417 Inch 163 Millimeter
Height	2.008 Inch 51 Millimeter
Bore 1	6.299 Inch 160 Millimeter
Outside Diameter	8.858 Inch 225 Millimeter