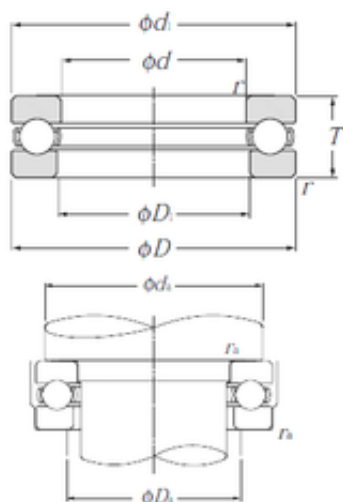




NTN BEARING-BOWER CORP.



NTN 51324 Thrust Bearings

Bearing No. 51324

Size	120x210x70 mm
Bore Diameter	120 mm
Outer Diameter	210 mm
Width	70 mm
d	120 mm
D	210 mm
T	70 mm
d1	205 mm
r min.	2,1 mm
D1	123 mm
da min.	173 mm
Da max.	157 mm
ra max.	2 mm
Weight	10,8 Kg
Basic dynamic load rating (C)	296 kN
Basic static load rating (C0)	805 kN
(Grease) Lubrication Speed	780 r/min
Category	Thrust Ball Bearing
Inventory	0.0
Manufacturer Name	NTN
Minimum Buy Quantity	N/A
Weight / Kilogram	9.88
EAN	4547359307245
Product Group	B00308
Rolling Element	Ball Bearing
Thrust Bearing	Yes

51324 Bearing 2D drawings and 3D CAD models



NTN BEARING-BOWER CORP.

Single or Double Direction	Single Direction
Banded	No
Cage Material	Steel
Precision Class	ABEC 1 ISO P0
Component Description	Roller Assembly Plus Raceways
Other Features	Single Row With Flat Seat
Long Description	120MM Bore 1; 123MM Bore 2; 210MM Outside Diameter; 70MM Height; Ball Bearing; Single Direction; Not Banded; Steel Cage; ABEC 1 ISO P0 Precision
Inch - Metric	Metric
Category	Thrust Ball Bearings
UNSPSC	31171552
Harmonized Tariff Code	8482.10.50.08
Noun	Bearing
Keyword String	Ball Thrust
Manufacturer URL	http://www.ntnamerica.com
Weight / LBS	23.80992
Bore 2	4.843 Inch 123 Millimeter
Overall Height with Aligning Washer	0 Inch 0 Millimeter
Bore 1	4.724 Inch 120 Millimeter
Outside Diameter	8.268 Inch 210 Millimeter
Height	2.756 Inch 70 Millimeter