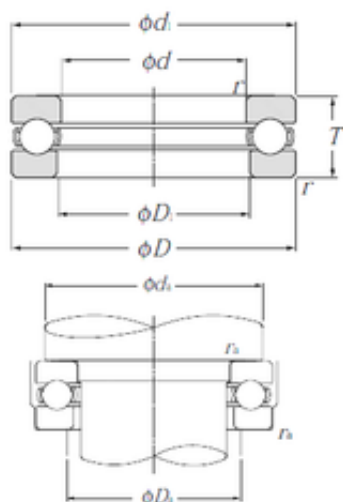




NTN BEARING-BOWER CORP.



NTN 51168 Thrust Bearings

Bearing No. 51168

Size	340x420x64 mm
Bore Diameter	340 mm
Outer Diameter	420 mm
Width	64 mm
d	340 mm
D	420 mm
T	64 mm
d1	416 mm
r min.	2 mm
D1	344 mm
da min.	388 mm
Da max.	372 mm
ra max.	2 mm
Weight	19,7 Kg
Basic dynamic load rating (C)	375 kN
Basic static load rating (C0)	1 760 kN
(Grease) Lubrication Speed	530 r/min
Category	Thrust Ball Bearing
Inventory	0.0
Manufacturer Name	NTN
Minimum Buy Quantity	N/A
Weight / Kilogram	0
EAN	4547359306408
Product Group	B00308
Rolling Element	Ball Bearing
Thrust Bearing	Yes

51168 Bearing 2D drawings and 3D CAD models



NTN BEARING-BOWER CORP.

Single or Double Direction	Single Direction
Banded	No
Cage Material	Steel
Precision Class	ABEC 1 ISO P0
Component Description	Roller Assembly Plus Raceways
Other Features	Single Row With Flat Seat
Long Description	340MM Bore 1; 344MM Bore 2; 420MM Outside Diameter; 64MM Height; Ball Bearing; Single Direction; Not Banded; Steel Cage; ABEC 1 ISO P0 Precision
Inch - Metric	Metric
Category	Thrust Ball Bearings
UNSPSC	31171552
Harmonized Tariff Code	8482.10.50.08
Noun	Bearing
Keyword String	Ball Thrust
Manufacturer URL	http://www.ntnamerica.com
Weight / LBS	43.43107
Bore 1	13.386 Inch 340 Millimeter
Bore 2	13.543 Inch 344 Millimeter
Height	2.52 Inch 64 Millimeter
Outside Diameter	16.535 Inch 420 Millimeter
Overall Height with Aligning Washer	0 Inch 0 Millimeter