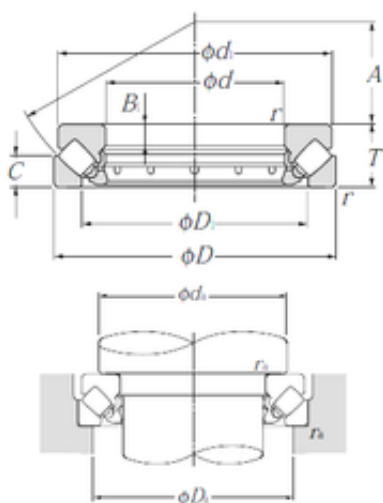




NTN BEARING-BOWER CORP.



NTN 29240 Thrust Bearings

Bearing No. 29240

Size	200x280x48 mm
Bore Diameter	200 mm
Outer Diameter	280 mm
Width	48 mm
d	200 mm
D	280 mm
T	48 mm
B1	15 mm
C	24 mm
d1	271 mm
r min.	2 mm
A	108 mm
D1	236 mm
da min.	235 mm
Da max.	255 mm
ra max.	2 mm
Weight	9,14 Kg
Basic dynamic load rating (C)	535 kN
Basic static load rating (C0)	2 300 kN

29240 Bearing 2D drawings and 3D CAD models