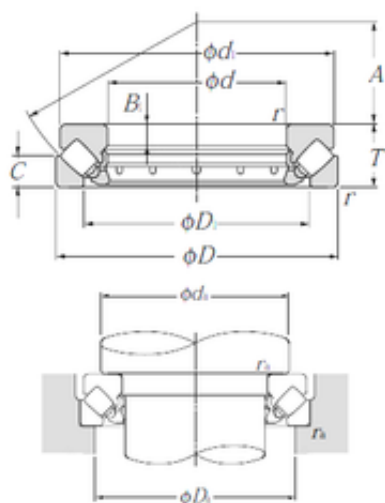




# NTN BEARING-BOWER CORP.



## NTN 29476 Thrust Bearings

Bearing No. 29476

Size	380x670x175 mm
Bore Diameter	380 mm
Outer Diameter	670 mm
Width	175 mm
d	380 mm
D	670 mm
T	175 mm
B1	63 mm
C	85 mm
d1	640 mm
r min.	7,5 mm
A	230 mm
D1	504 mm
da min.	510 mm
Da max.	575 mm
ra max.	6 mm
Weight	267 Kg
Basic dynamic load rating (C)	4 900 kN
Basic static load rating (C0)	19 700 kN
Category	Roller Bearings
Inventory	0.0
Manufacturer Name	NTN
Minimum Buy Quantity	N/A
Weight / Kilogram	266.608
Product Group	B04311
bore diameter:	380 mm

29476 Bearing 2D drawings and 3D CAD models



## NTN BEARING-BOWER CORP.

bearing material:	Through Hardened Steel
outside diameter:	670 mm
operating temperature range:	-40 to 120 ° C
overall width:	175 mm
maximum rpm:	470 rpm
cage type:	Machined - Two Piece
separable type:	Separable Bearing
enclosure:	Open
fillet radius:	7.5 mm
cage material:	Brass
series:	294
static load capacity:	19700000 N
manufacturer product page:	<a href="#">Click here</a>
dynamic load capacity:	4900000 N