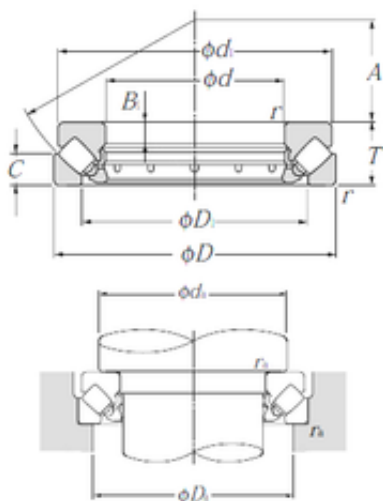




# NTN BEARING-BOWER CORP.

## NTN 294/500 Thrust Bearings

Bearing No. 294/500



294/500 Bearing 2D drawings and 3D CAD models

|                               |                |
|-------------------------------|----------------|
| Size                          | 500x870x224 mm |
| Bore Diameter                 | 500 mm         |
| Outer Diameter                | 870 mm         |
| Width                         | 224 mm         |
| d                             | 500 mm         |
| D                             | 870 mm         |
| T                             | 224 mm         |
| B1                            | 81 mm          |
| C                             | 107 mm         |
| d1                            | 830 mm         |
| r min.                        | 9,5 mm         |
| A                             | 290 mm         |
| D1                            | 661 mm         |
| da min.                       | 670 mm         |
| Da max.                       | 750 mm         |
| ra max.                       | 8 mm           |
| Weight                        | 569 Kg         |
| Basic dynamic load rating (C) | 7 850 kN       |
| Basic static load rating (C0) | 33 000 kN      |