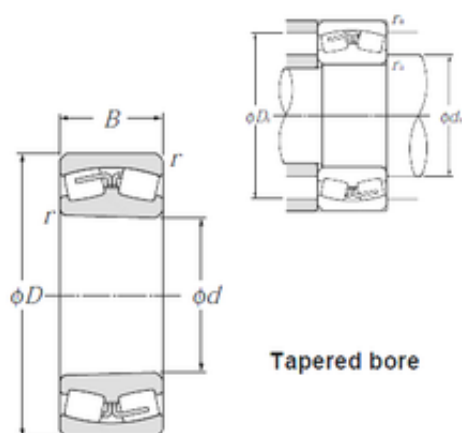




# NTN BEARING-BOWER CORP.

## 500 mm x 720 mm x 218 mm NTN 240/500BK30 Spherical Roller Bearings



Bearing No. 240/500BK30

Size	500x720x218 mm
Bore Diameter	500 mm
Outer Diameter	720 mm
Width	218 mm
d	500 mm
D	720 mm
B	218 mm
C	218 mm
r min.	6 mm
da min.	528 mm
Da max.	692 mm
ra max.	5 mm
Weight	290 Kg
Basic dynamic load rating (C)	4 750 kN
Basic static load rating (C0)	10 900 kN
(Grease) Lubrication Speed	350 r/min
(Oil) Lubrication Speed	460 r/min
Calculation factor (e)	0,3
Calculation factor (Y0)	2,23
Calculation factor (Y1)	2,28

240/500BK30 Bearing 2D drawings and 3D CAD models