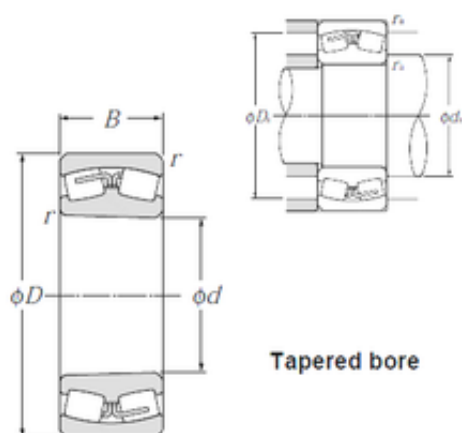




NTN BEARING-BOWER CORP.

360 mm x 480 mm x 90 mm NTN 23972K Spherical Roller Bearings



Bearing No. 23972K

Size	360x480x90 mm
Bore Diameter	360 mm
Outer Diameter	480 mm
Width	90 mm
d	360 mm
D	480 mm
B	90 mm
C	90 mm
r min.	3 mm
da min.	374 mm
Da max.	466 mm
ra max.	2,5 mm
Weight	45,7 Kg
Basic dynamic load rating (C)	1 320 kN
Basic static load rating (C0)	2 930 kN
(Grease) Lubrication Speed	630 r/min
(Oil) Lubrication Speed	820 r/min
Calculation factor (e)	0,17
Calculation factor (Y0)	3,9
Calculation factor (Y1)	3,99

23972K Bearing 2D drawings and 3D CAD models