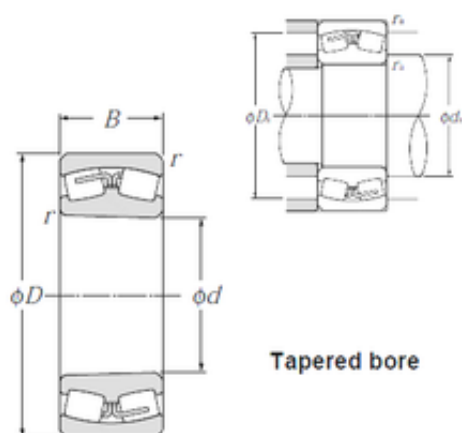




# NTN BEARING-BOWER CORP.

## 180 mm x 380 mm x 126 mm NTN 22336BK Spherical Roller Bearings



Bearing No. 22336BK

Size	180x380x126 mm
Bore Diameter	180 mm
Outer Diameter	380 mm
Width	126 mm
d	180 mm
D	380 mm
B	126 mm
C	126 mm
r min.	4 mm
da min.	198 mm
Da max.	362 mm
ra max.	3 mm
Weight	68,5 Kg
Basic dynamic load rating (C)	1 740 kN
Basic static load rating (C0)	2 560 kN
(Grease) Lubrication Speed	1 000 r/min
(Oil) Lubrication Speed	1 300 r/min
Calculation factor (e)	0,34
Calculation factor (Y0)	1,92
Calculation factor (Y1)	1,97
Category	Bearings
Inventory	0.0
Manufacturer Name	NTN
Minimum Buy Quantity	N/A
Weight / Kilogram	0

22336BK Bearing 2D drawings and 3D CAD models



# NTN BEARING-BOWER CORP.

EAN	4547359273502
Product Group	B04311