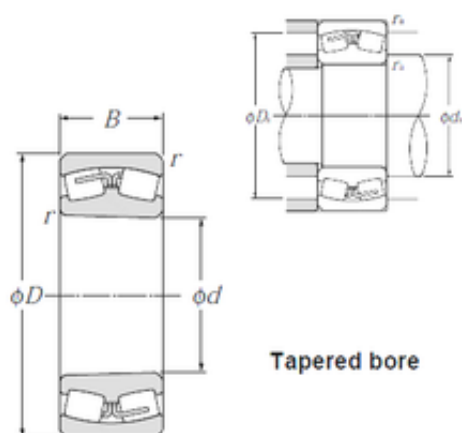




# NTN BEARING-BOWER CORP.

## 240 mm x 360 mm x 92 mm NTN 23048BK Spherical Roller Bearings



Bearing No. 23048BK

Size	240x360x92 mm
Bore Diameter	240 mm
Outer Diameter	360 mm
Width	92 mm
d	240 mm
D	360 mm
B	92 mm
C	92 mm
r min.	3 mm
da min.	254 mm
Da max.	346 mm
ra max.	2,5 mm
Weight	32,2 Kg
Basic dynamic load rating (C)	1 130 kN
Basic static load rating (C0)	2 140 kN
(Grease) Lubrication Speed	920 r/min
(Oil) Lubrication Speed	1 200 r/min
Calculation factor (e)	0,25
Calculation factor (Y0)	2,63
Calculation factor (Y1)	2,69
Category	Spherical Roller Bearings
Inventory	0.0
Manufacturer Name	NTN
Minimum Buy Quantity	N/A
Weight / Kilogram	32.09

23048BK Bearing 2D drawings and 3D CAD models



## NTN BEARING-BOWER CORP.

EAN	4547359520804
Product Group	B04311
Internal Clearance	C0-Medium
Mounting Method	Adapter Mount
Rolling Element	Spherical Roller Bearing
Bore Profile	Tapered
Cage Material	Steel
Enclosure	Open
Number of Rows of Rollers	Double Row
Relubricatable	Yes
Withdrawal Sleeve	AH3048 AOH3048 (Specify bore)
Withdrawal Nut	HML52T
Inch - Metric	Metric
Long Description	240MM Tapered Bore; 360MM Outside Diameter; 92MM Width; C0-Medium Clearance; Adapter Mount; Double Row of Spherical Roller Bearings; Steel Cage Material; Open Enclosure; Relubricatable; Adapter Part N
Other Features	Order adapter or withdrawal sleeve or nut separately. Others may be available
Category	Spherical Roller Bearing
UNSPSC	31171510
Harmonized Tariff Code	84823080
Noun	Bearing
Keyword String	Spherical
Manufacturer URL	<a href="http://www.ntnamerica.com">http://www.ntnamerica.com</a>
Weight / LBS	70.676
Width	3.622 Inch   92 Millimeter



## NTN BEARING-BOWER CORP.

Bore	9.449 Inch   240 Millimeter
Outside Diameter	14.173 Inch   360 Millimeter
Adapter Part Number	SNP3048 H3048 (Specify Bore) Inch   H3048 (Specify bore) Millimeter