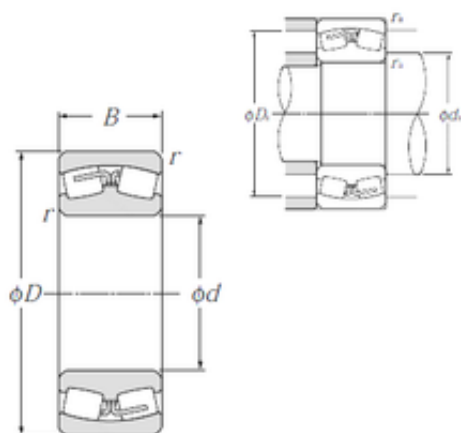




NTN BEARING-BOWER CORP.

710 mm x 950 mm x 180 mm NTN 239/710 Spherical Roller Bearings



Bearing No. 239/710

| | |
|-------------------------------|----------------|
| Size | 710x950x180 mm |
| Bore Diameter | 710 mm |
| Outer Diameter | 950 mm |
| Width | 180 mm |
| d | 710 mm |
| D | 950 mm |
| B | 180 mm |
| C | 180 mm |
| r min. | 6 mm |
| da min. | 738 mm |
| Da max. | 922 mm |
| ra max. | 5 mm |
| Weight | 375 Kg |
| Basic dynamic load rating (C) | 4 450 kN |
| Basic static load rating (C0) | 11 500 kN |
| (Grease) Lubrication Speed | 280 r/min |
| (Oil) Lubrication Speed | 370 r/min |
| Calculation factor (e) | 0,18 |
| Calculation factor (Y0) | 3,76 |
| Calculation factor (Y1) | 3,85 |

239/710 Bearing 2D drawings and 3D CAD models