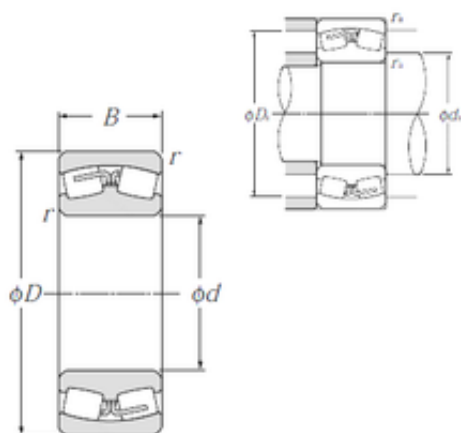




NTN BEARING-BOWER CORP.

190 mm x 400 mm x 132 mm NTN 22338B Spherical Roller Bearings



Bearing No. 22338B

Size	190x400x132 mm
Bore Diameter	190 mm
Outer Diameter	400 mm
Width	132 mm
d	190 mm
D	400 mm
B	132 mm
C	132 mm
r min.	5 mm
da min.	212 mm
Da max.	378 mm
ra max.	4 mm
Weight	81 Kg
Basic dynamic load rating (C)	1 870 kN
Basic static load rating (C0)	2 790 kN
(Grease) Lubrication Speed	920 r/min
(Oil) Lubrication Speed	1 200 r/min
Calculation factor (e)	0,34
Calculation factor (Y0)	1,93
Calculation factor (Y1)	1,97
Category	Spherical Roller Bearings
Inventory	0.0
Manufacturer Name	NTN
Minimum Buy Quantity	N/A
Weight / Kilogram	81.67

22338B Bearing 2D drawings and 3D CAD models



NTN BEARING-BOWER CORP.

EAN	4547359520408
Product Group	B04311
Internal Clearance	C0-Medium
Mounting Method	Shaft Mount
Rolling Element	Spherical Roller Bearing
Bore Profile	Straight
Cage Material	Bronze
Enclosure	Open
Number of Rows of Rollers	Double Row
Relubricatable	Yes
Withdrawal Sleeve	Not Applicable
Withdrawal Nut	Not Applicable
Inch - Metric	Metric
Long Description	190MM Straight Bore; 400MM Outside Diameter; 132MM Width; C0-Medium Clearance; Shaft Mount; Double Row of Spherical Roller Bearings; Bronze Cage Material; Open Enclosure; Relubricatable
Category	Spherical Roller Bearing
UNSPSC	31171510
Harmonized Tariff Code	84823080
Noun	Bearing
Keyword String	Spherical
Manufacturer URL	http://www.ntnamerica.com
Weight / LBS	179.894
Bore	7.48 Inch 190 Millimeter
Width	5.197 Inch 132 Millimeter
Adapter Part Number	Not Applicable Inch Not Applicable Millimeter
Outside Diameter	15.748 Inch 400 Millimeter



NTN BEARING-BOWER CORP.