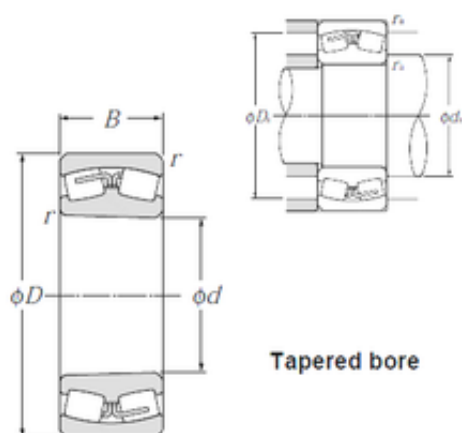




NTN BEARING-BOWER CORP.

120 mm x 200 mm x 80 mm NTN 24124BK30 Spherical Roller Bearings



Bearing No. 24124BK30

Size	120x200x80 mm
Bore Diameter	120 mm
Outer Diameter	200 mm
Width	80 mm
d	120 mm
D	200 mm
B	80 mm
C	80 mm
r min.	2 mm
da min.	130 mm
Da max.	190 mm
ra max.	2 mm
Weight	10,1 Kg
Basic dynamic load rating (C)	575 kN
Basic static load rating (C0)	945 kN
(Grease) Lubrication Speed	1 600 r/min
(Oil) Lubrication Speed	2 100 r/min
Calculation factor (e)	0,4
Calculation factor (Y0)	1,64
Calculation factor (Y1)	1,68

24124BK30 Bearing 2D drawings and 3D CAD models