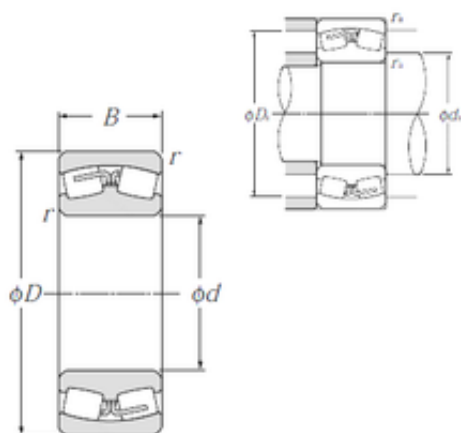




NTN BEARING-BOWER CORP.

110 mm x 240 mm x 80 mm NTN 22322B Spherical Roller Bearings



Bearing No. 22322B

22322B Bearing 2D drawings and 3D CAD models

Size	110x240x80 mm
Bore Diameter	110 mm
Outer Diameter	240 mm
Width	80 mm
d	110 mm
D	240 mm
B	80 mm
C	80 mm
r min.	3 mm
da min.	124 mm
Da max.	226 mm
ra max.	2,5 mm
Weight	17,1 Kg
Basic dynamic load rating (C)	745 kN
Basic static load rating (C0)	930 kN
(Grease) Lubrication Speed	1 700 r/min
(Oil) Lubrication Speed	2 200 r/min
Calculation factor (e)	0,36
Calculation factor (Y0)	1,83
Calculation factor (Y1)	1,87
Category	Bearings
Inventory	0.0
Manufacturer Name	NTN
Minimum Buy Quantity	N/A
Weight / Kilogram	0



NTN BEARING-BOWER CORP.

EAN	4547359271706
Product Group	B04311