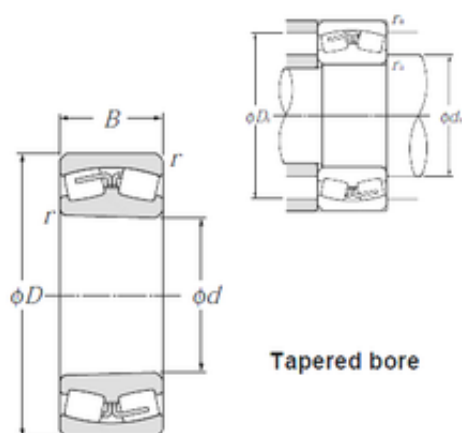




NTN BEARING-BOWER CORP.

560 mm x 920 mm x 355 mm NTN 241/560BK30 Spherical Roller Bearings



Bearing No. 241/560BK30

Size	560x920x355 mm
Bore Diameter	560 mm
Outer Diameter	920 mm
Width	355 mm
d	560 mm
D	920 mm
B	355 mm
C	355 mm
r min.	7,5 mm
da min.	596 mm
Da max.	884 mm
ra max.	6 mm
Weight	934 Kg
Basic dynamic load rating (C)	9 950 kN
Basic static load rating (C0)	20 800 kN
(Grease) Lubrication Speed	280 r/min
(Oil) Lubrication Speed	370 r/min
Calculation factor (e)	0,39
Calculation factor (Y0)	1,71
Calculation factor (Y1)	1,75

241/560BK30 Bearing 2D drawings and 3D CAD models